

# STORAGE, TRANSPORT & SAFETY

## Transport

During transport, packages must be protected against moisture.

If damage is detected during unloading, please report immediately. Not visible damages during unloading, but visible during assembly, must be reported immediately to FALK Bouwsystemen. If assembly work do not stop on time, liability becomes invalid.

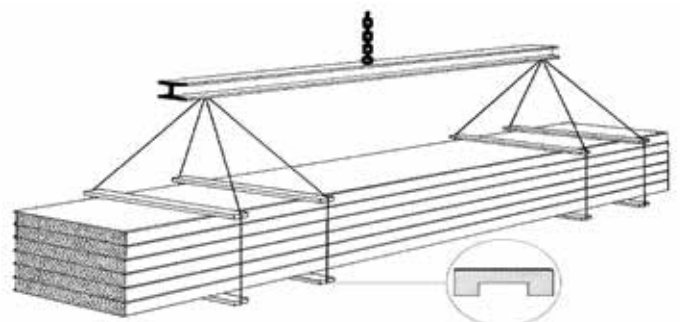
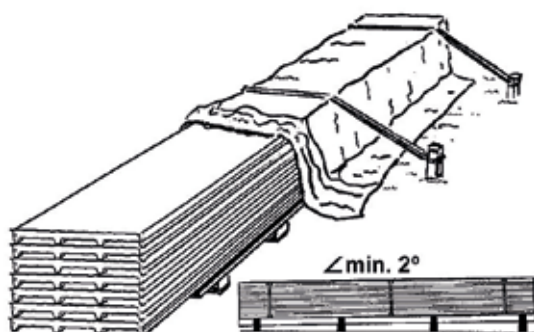
## Load and unload

- > Pick up in Ede
- > Not unloaded with truck on construction site
- > Supplied on construction site on axle support

Unloading of packages must be done with correct lifting and hoisting equipment. Packages with a length of up to 6 meters can be unloaded with a forklift. Packages longer than 6 meters must be unloaded with a cross-beam. For this purpose, hoisting belts with reinforcing beams must be used. pay attention to the side overlaps. The slightest damage can cause annoying problems. Place packages as close as possible to the installation site. Place packages in the right order.

## Packaging

All panels of FALK Bouwsystemen are packed on pallets and with cover foil. This package offers sufficient protection during transport to the construction site.



# STORAGE, TRANSPORT & SAFETY

## Handling

Packages with a length of up to 6 meters can be unloaded with a fork lift. Packages longer than 6 meters must be unloaded with a cross-beam. Place packages as close as possible to the installation site. Place packages in the right order. Any visible damage to panels must be reported immediately on arrival and stated on the consignment note. Always check the packages. Damage to panels that becomes visible after opening must be reported to FALK Bouwsystemen BV prior to assembly. If assembly work do not stop on time, liability becomes invalid.

## Storage

Packages must be placed on a flat surface, with slight gradient, not directly contacting soil. Please not stack packages of sandwich panels. If necessary, never stack more than two packages to avoid compression! When stacking, make sure that pallets are placed right above each other! When storing the packages for a longer period, take into account that protective foil stick together after a few weeks and difficult to remove.

